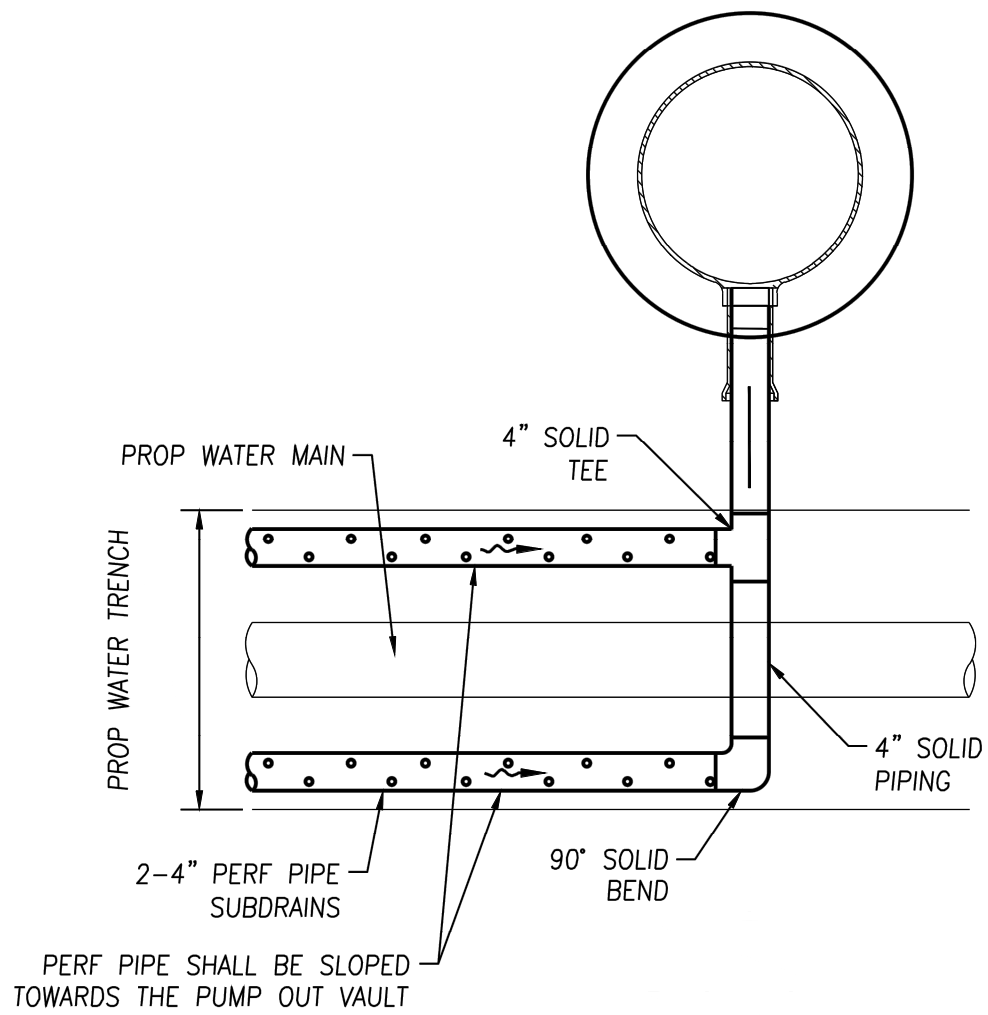
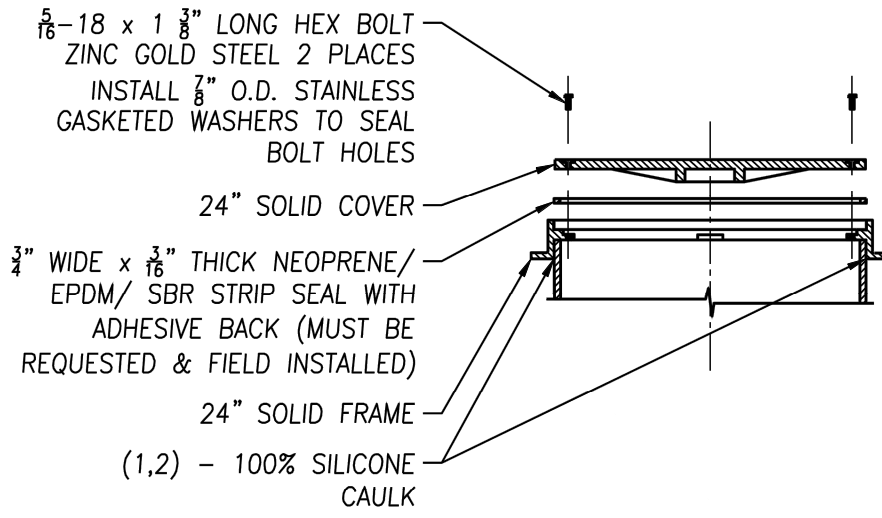


<b>STANDARD DETAIL</b>	<b>CITY OF BRISBANE</b> DEPARTMENT OF PUBLIC WORKS	
	<b>LANDFILL PUMP OUT VAULT PLAN AND PROFILE</b>	<b>LF - 7A</b>
DATE: 06/09/21		



NOT TO SCALE

<b>STANDARD DETAIL</b>	<b>CITY OF BRISBANE</b> DEPARTMENT OF PUBLIC WORKS	
	<b>LANDFILL PUMP OUT VAULT PLAN AND PROFILE</b>	<b>LF - 7B</b>
DATE: 06/09/21		